

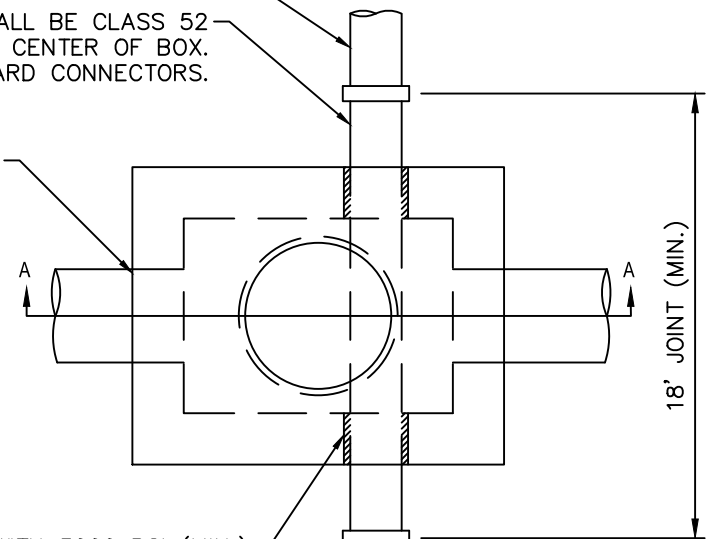
PIPE MATERIAL PER PROJECT SEWER PLAN  
 SEWER AT CONFLICT SHALL BE CLASS 52  
 DUCTILE IRON CENTERED AT CENTER OF BOX.  
 USE FERNCO STANDARD CONNECTORS.

RCP TO BE SEALED TO STRUCTURE  
 PER LOCAL AGENCY REQUIREMENTS

STANDARD MANHOLE FRAME AND COVER  
 OR FLAT SLAB FRAME AND COVER

CEMENT GROUT

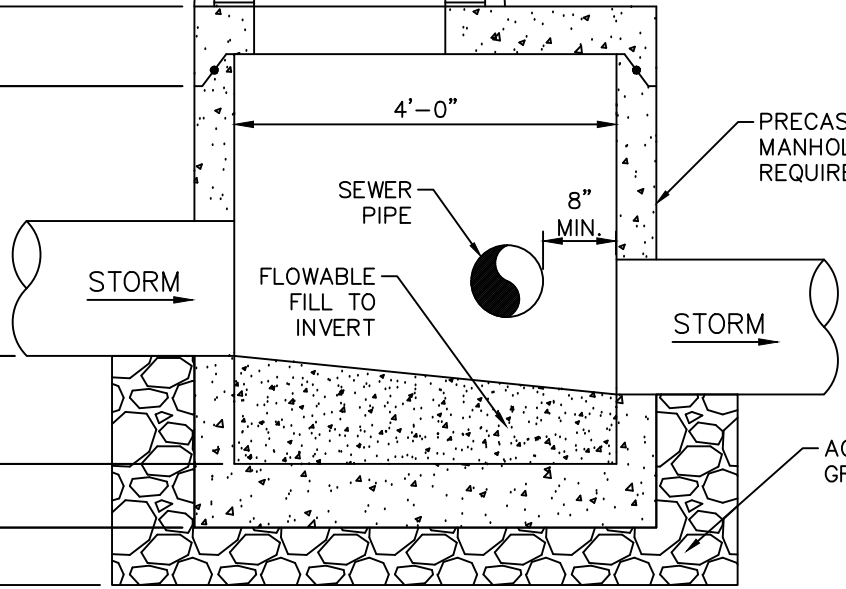
PRECAST CONCRETE ADJUSTMENT  
 RINGS, MINIMUM 4" HIGH  
 (MAXIMUM OF 2)



FILL WITH 3000 PSI (MIN.)  
 NON-SHRINK GROUT (TYP)

PIPE MATERIAL PER  
 PROJECT SEWER PLAN

10.5"  
 VARIES  
 VARIES  
 8"  
 6"



PRECAST CONCRETE  
 MANHOLE SECTIONS AS  
 REQUIRED

AGGREGATE BED, NO. 57  
 GRANITE STONE

CONFLICT BOX DETAIL  
 N.T.S.



7255 STALL ROAD, NORTH CHARLESTON, SC 29406  
 PH: (843) 764-3072 FAX: (843) 764-2655

**N.C.S.D. STANDARD DETAILS**

REV. DATE: JUNE 2019 | DWG#: | GS-018