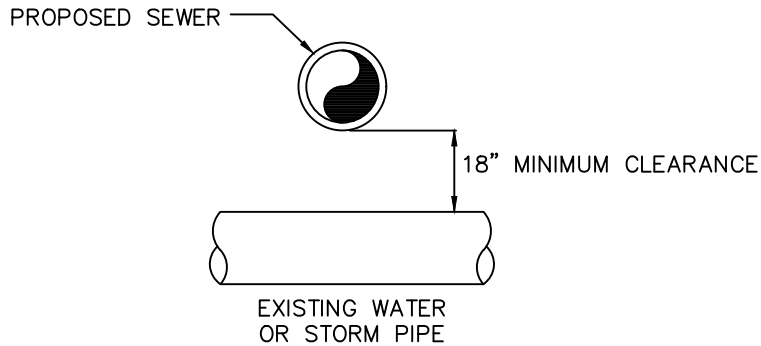


NOTES:

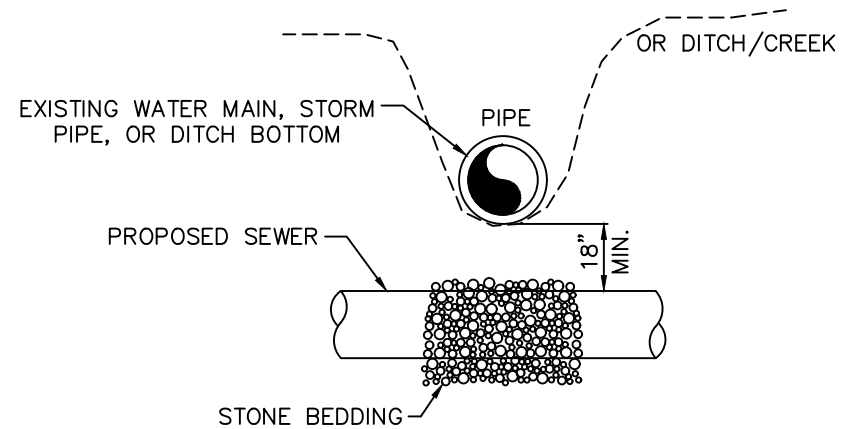
- 1. INSTALL A FULL JOINT OF PIPE CENTERED AT THE CROSSING.
- 2. IF THE MINIMUM CLEARANCE IS NOT MET, THE SEWER SHALL BE POLYWRAPPED DUCTILE IRON PIPE.



SEWER CROSSING OVER EXISTING PIPE

NOTES:

- 1. SOIL REPLACED UNDER THE EXISTING WATER OR STORM PIPE SHALL BE WELL COMPACTED PER APPLICABLE AGENCY STANDARDS.
- 2. IF CLEARANCE IS LESS THAN 18", C900/C905 PVC INSIDE STEEL CASING OR DUCTILE IRON PIPE SHALL BE USED. CENTER PIPE AND CASING UNDER THE EXISTING WATER MAIN, STORM PIPE, OR DITCH.



SEWER CROSSING UNDER EXISTING PIPE

SEWER CROSSING OVER/UNDER
EXISTING PIPE
N.T.S.



7255 STALL ROAD, NORTH CHARLESTON, SC 29406
PH: (843) 764-3072 FAX: (843) 764-2655

N.C.S.D. STANDARD DETAILS

REV. DATE: JUNE 2019 | DWG#: GS-015