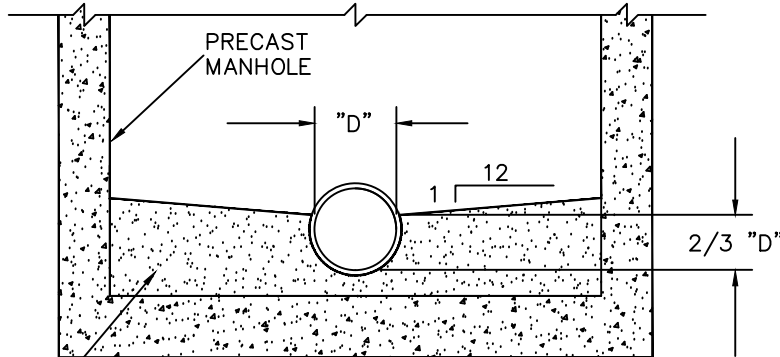


CHANNELS SHALL BE FORMED TO ALLOW TESTING MANDREL TO BE INSERTED OR REMOVED INTO PIPES

PLAN VIEW #1

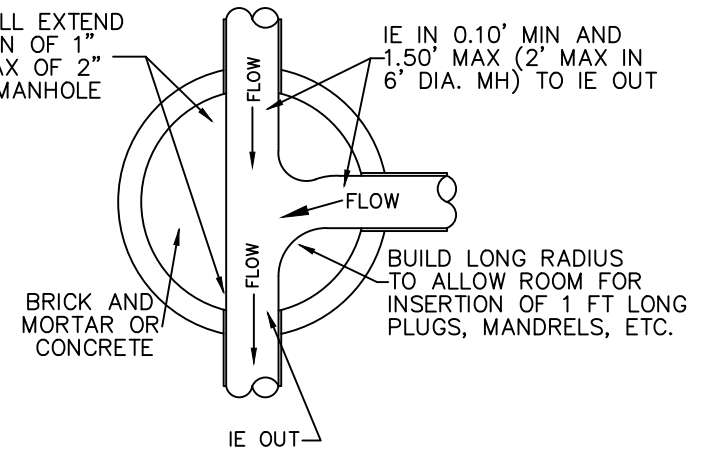


CONCRETE

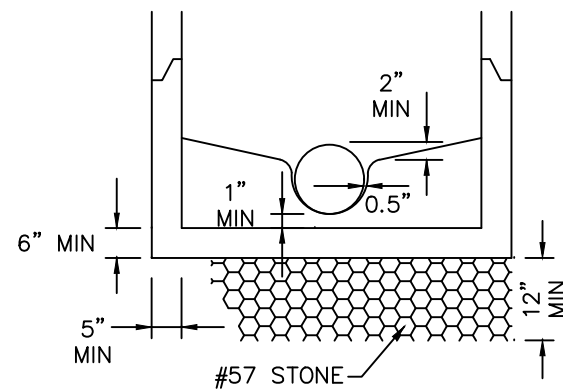
SECTION #1

STANDARD MANHOLE
CHANNEL AND BENCH DETAIL
N.T.S.

MAINS SHALL EXTEND A MIN OF 1" AND MAX OF 2" INTO MANHOLE



PLAN VIEW #2



SECTION #2



7255 STALL ROAD, NORTH CHARLESTON, SC 29406
PH: (843) 764-3072 FAX: (843) 764-2655

N.C.S.D. STANDARD DETAILS

REV. DATE: JUNE 2019 DWG#: GS-014