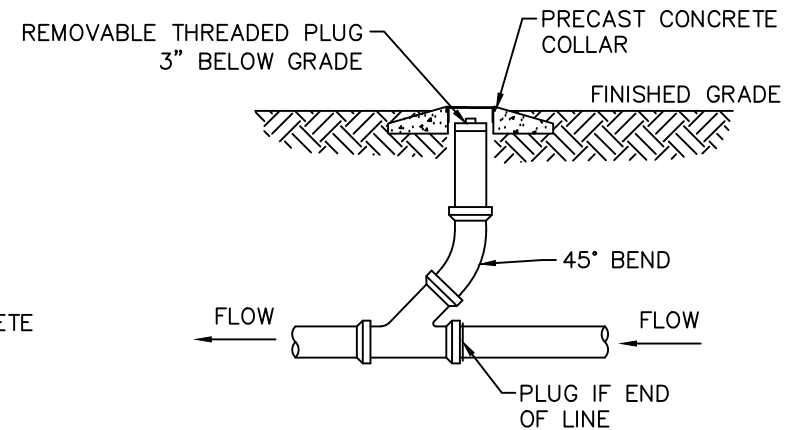
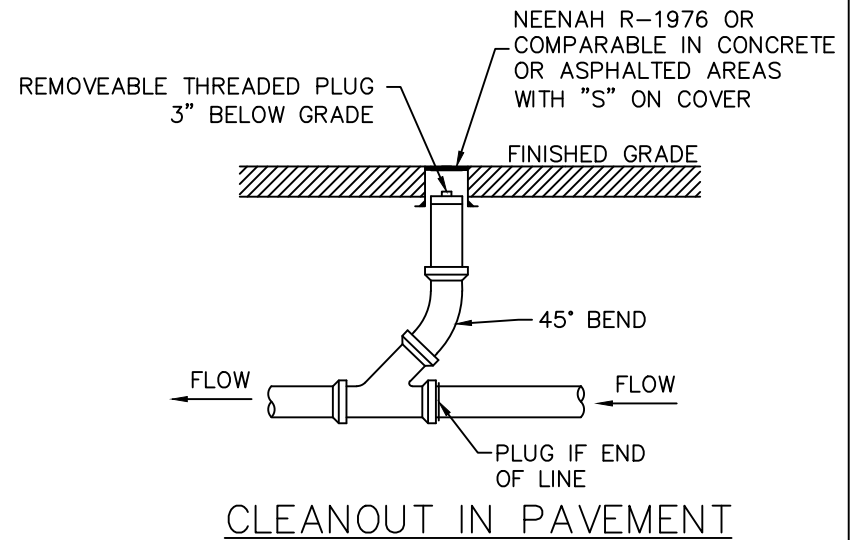


PRECAST CONCRETE COLLAR



NOTES:

1. CLEANOUTS TO BE PROVIDED ON ALL SERVICE LATERALS AT 50' INTERVALS AND AT CHANGES IN DIRECTION.
2. PROVIDE 4" CLEANOUTS FOR RESIDENTIAL & 6" CLEANOUTS FOR COMMERCIAL APPLICATIONS.

CLEANOUT DETAIL  
N.T.S.



7255 STALL ROAD, NORTH CHARLESTON, SC 29406  
PH: (843) 764-3072 FAX: (843) 764-2655

**N.C.S.D. STANDARD DETAILS**

REV. DATE: JUNE 2019 DWG#: GS-010