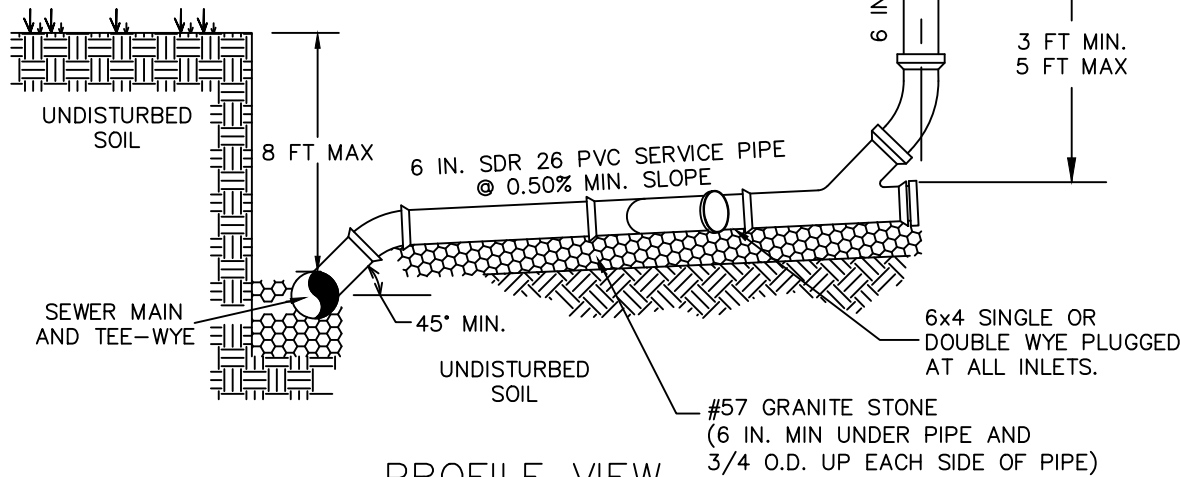


PLAN VIEW

NOTE:
INSTALL 3 IN. WARNING
TAPE 18 IN. ABOVE MAINS
AND SERVICES.



PROFILE VIEW

NOTES:

1. THE DISTRICT'S PORTION OF ALL SEWER SERVICE LATERALS SHALL BE A MIN. OF 6-INCHES.
2. NO MORE THAN TWO (2) RESIDENTIAL UNITS ARE ALLOWED TO TIE INTO A SINGLE 6-INCH SERVICE LATERAL.
3. A MIN. 6-INCH LATERAL SHALL BE PROVIDED FOR ANY APARTMENT BUILDING, COMMERCIAL BUSINESS, OR INDUSTRIAL APPLICATION.
4. A 1.04% MIN. SLOPE ($\frac{1}{8}$ " PER FOOT) IS REQUIRED FOR SERVICE LATERALS, HOWEVER 2.0% IS RECOMMENDED. FLATTER SLOPES FOR SERVICE LATERAL LINES, LESS THAN 1.04%, BUT GREATER THAN 0.50% WILL BE REVIEWED ON A CASE-BY-CASE BASIS.

TYPICAL SHALLOW SEWER SERVICE
CONSTRUCTION DETAIL
N.T.S.



7255 STALL ROAD, NORTH CHARLESTON, SC 29406
PH: (843) 764-3072 FAX: (843) 764-2655

N.C.S.D. STANDARD DETAILS

REV. DATE: JUNE 2019 DWG#: GS-008