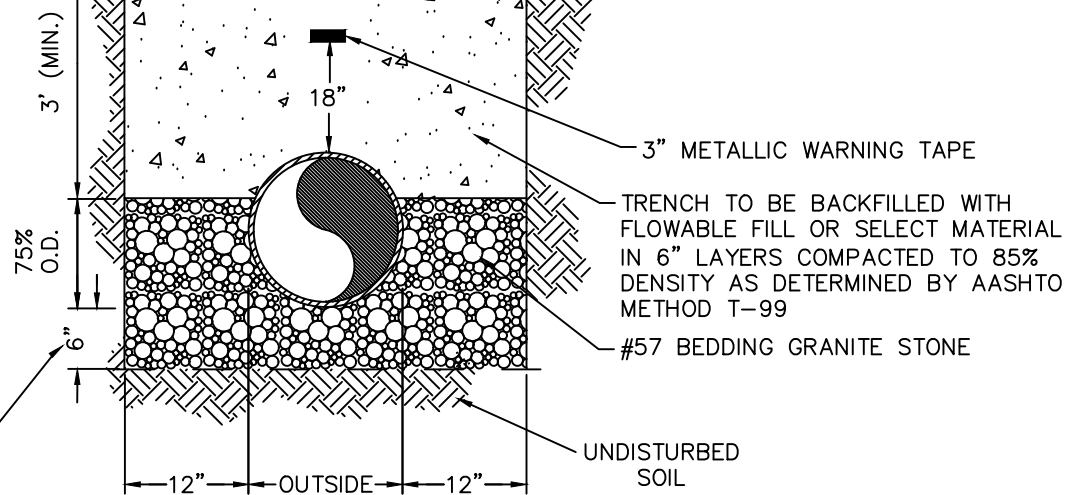


NOTES:

1. CURRENT SCDOT SURFACE PAVEMENT STANDARDS SHALL APPLY WHEN OTHER INFORMATION IS NOT AVAILABLE.
2. ALL APPLICABLE PERMITS AND ROAD ENCROACHMENT PERMITS SHALL BE OBTAINED BY THE CONTRACTOR PRIOR TO PERFORMING WORK IN PUBLIC ROAD RIGHT OF WAYS.
3. CONTRACTOR SHALL PROVIDE APPROVED TRAFFIC CONTROL SYSTEMS PRIOR TO PERFORMING WORK IN ROAD R/W.
4. CONTRACTOR SHALL NOTIFY N.C.S.D., THE APPLICABLE ROADWAY AGENCY, AND OTHER UTILITIES 2-WEEKS PRIOR TO PERFORMING ROAD CUTS.



THIS DEPTH SHALL INCREASE WHEN ROCK, UNSTABLE, UNSUITABLE OR WET MATERIAL IS ENCOUNTERED, OR AS DIRECTED BY THE ENGINEER AND/OR NCSD

TYPICAL GRAVITY WASTEWATER
ROAD CUT SECTION
N.T.S.



7255 STALL ROAD, NORTH CHARLESTON, SC 29406
PH: (843) 764-3072 FAX: (843) 764-2655

N.C.S.D. STANDARD DETAILS

REV. DATE: JUNE 2019	DWG#:	GS-007
----------------------	-------	--------