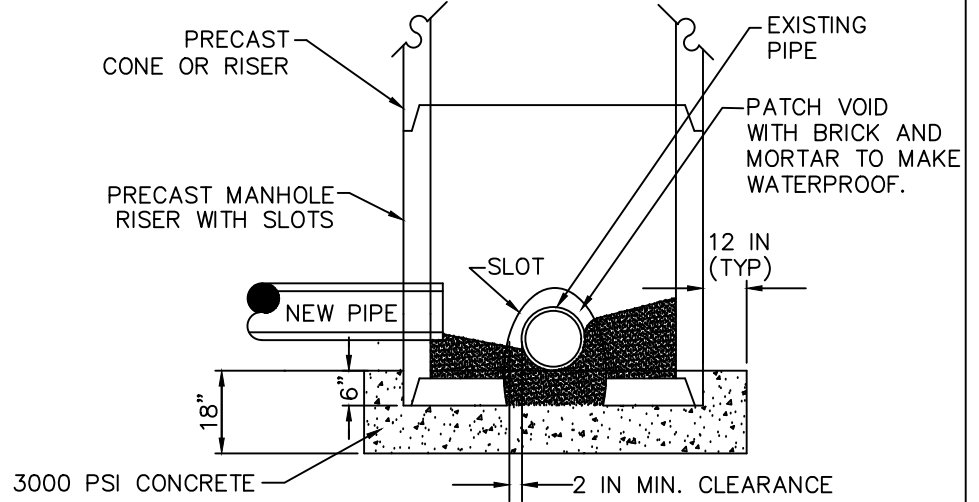


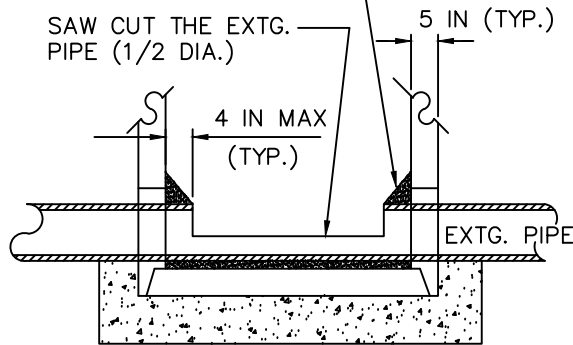
ELEVATION ALONG PIPE



ELEVATION THRU PIPE

MORTAR SLOPE IN EXCESS OF 45° TO COVER SLOTS. (TYP)

SAW CUT THE EXTG. PIPE (1/2 DIA.)

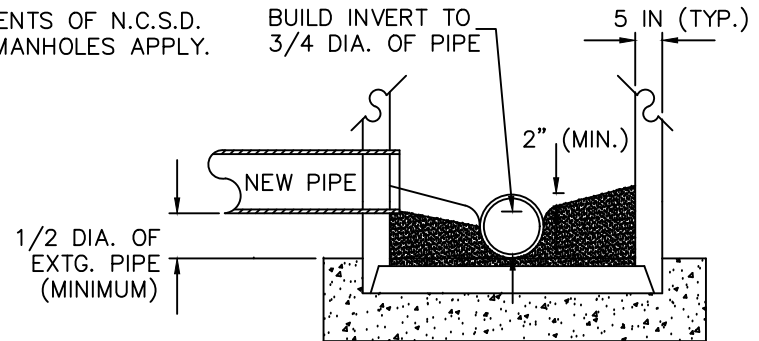


SECTION ALONG PIPE

NOTE:

ALL OTHER REQUIREMENTS OF N.C.S.D. STANDARD PRECAST MANHOLES APPLY.

BUILD INVERT TO 3/4 DIA. OF PIPE



SECTION THRU MANHOLE

ALTERNATIVE METHOD:

REMOVE 10 FT (MIN) SECTION OF EXISTING MAIN AND INSTALL STANDARD MANHOLE AND LENGTH OF NEW PIPE. AS WITH DOGHOUSE TYPE MANHOLES, THE NEW PIPE WILL HAVE TO BE CUT INSIDE THE MAHOLE TO RECEIVE THE FLOWS FROM THE NEW SYSTEM EXTENSION.

DOGHOUSE MANHOLE DETAIL

N.T.S.



7255 STALL ROAD, NORTH CHARLESTON, SC 29406
PH: (843) 764-3072 FAX: (843) 764-2655

N.C.S.D. STANDARD DETAILS

REV. DATE: JUNE 2019 DWG#: GS-005