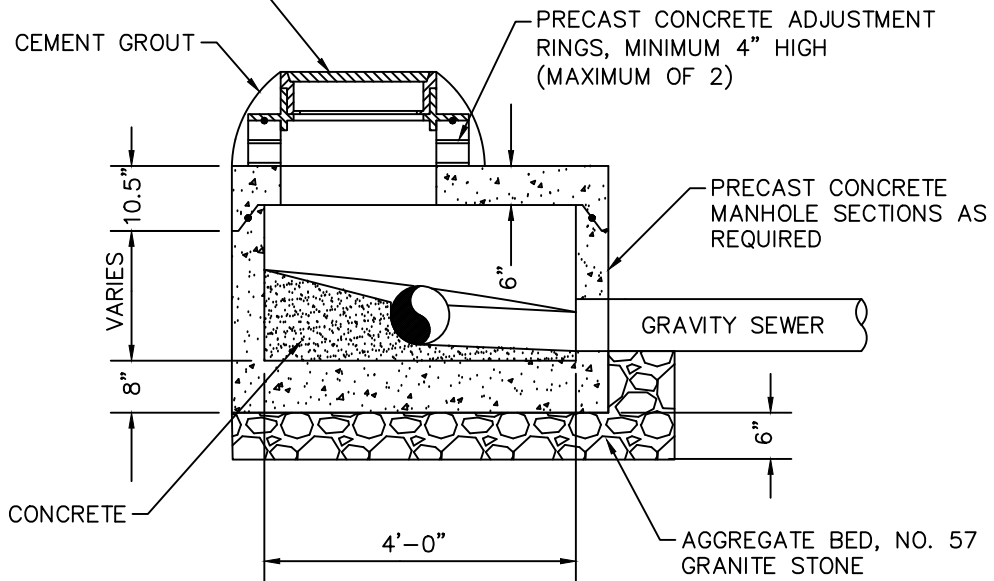


STANDARD MANHOLE FRAME AND COVER  
OR FLAT SLAB FRAME AND COVER  
SEE DETAIL



# STANDARD SHALLOW MANHOLE DETAIL

N.T.S.



7255 STALL ROAD, NORTH CHARLESTON, SC 29406  
PH: (843) 764-3072 FAX: (843) 764-2655

**N.C.S.D. STANDARD DETAILS**

REV. DATE: JUNE 2019 | DWG#: GS-002