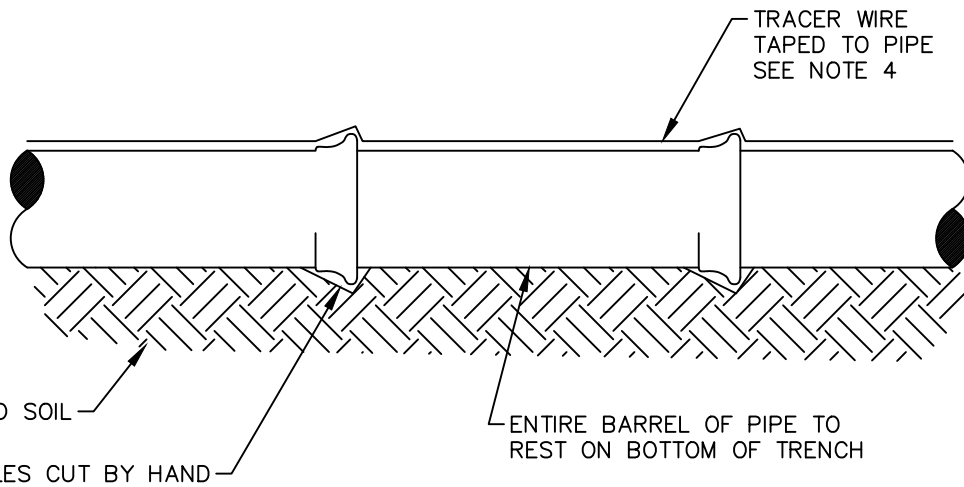


MINIMUM DEPTH  
 36" FOR 12" DIAMETER AND SMALLER  
 48" FOR 14" DIAMETER AND LARGER



NOTES:

1. REFER TO APPLICABLE SCDOT, CITY OR COUNTY PERMITS FOR MINIMUM REQUIREMENTS.
2. IF UNSUITABLE MATERIAL BENEATH FINAL PIPE GRADE IS ENCOUNTERED, SUCH MATERIAL SHALL BE REMOVED AND REPLACED WITH CRUSHED STONE AND COMPACTED TO PROPER GRADE.
3. ANY DEBRIS ENCOUNTERED IN THE TRENCH EXCAVATION SHALL BE REMOVED.
4. REFER TO TRACER WIRE AND METALLIC WARNING TAPE DETAIL FM-002 FOR ADDITIONAL INFORMATION.

FORCE MAIN BEDDING DETAIL  
 N.T.S.



7255 STALL ROAD, NORTH CHARLESTON, SC 29406  
 PH: (843) 764-3072 FAX: (843) 764-2655

**N.C.S.D. STANDARD DETAILS**

REV. DATE: JUNE 2019	DWG#: FM-007
----------------------	--------------